

Wanco Electric & Machinery Pte Ltd

A collection of white line-art illustrations on a light blue background, depicting various electrical components: two circular electrical boxes with mounting brackets, a large rectangular metal enclosure with a hinged lid, a cylindrical metal pipe with a threaded end, a rectangular metal tray with a curved bottom, and several metal brackets and supports of different shapes.

Steel Conduits Boxes and Accessories

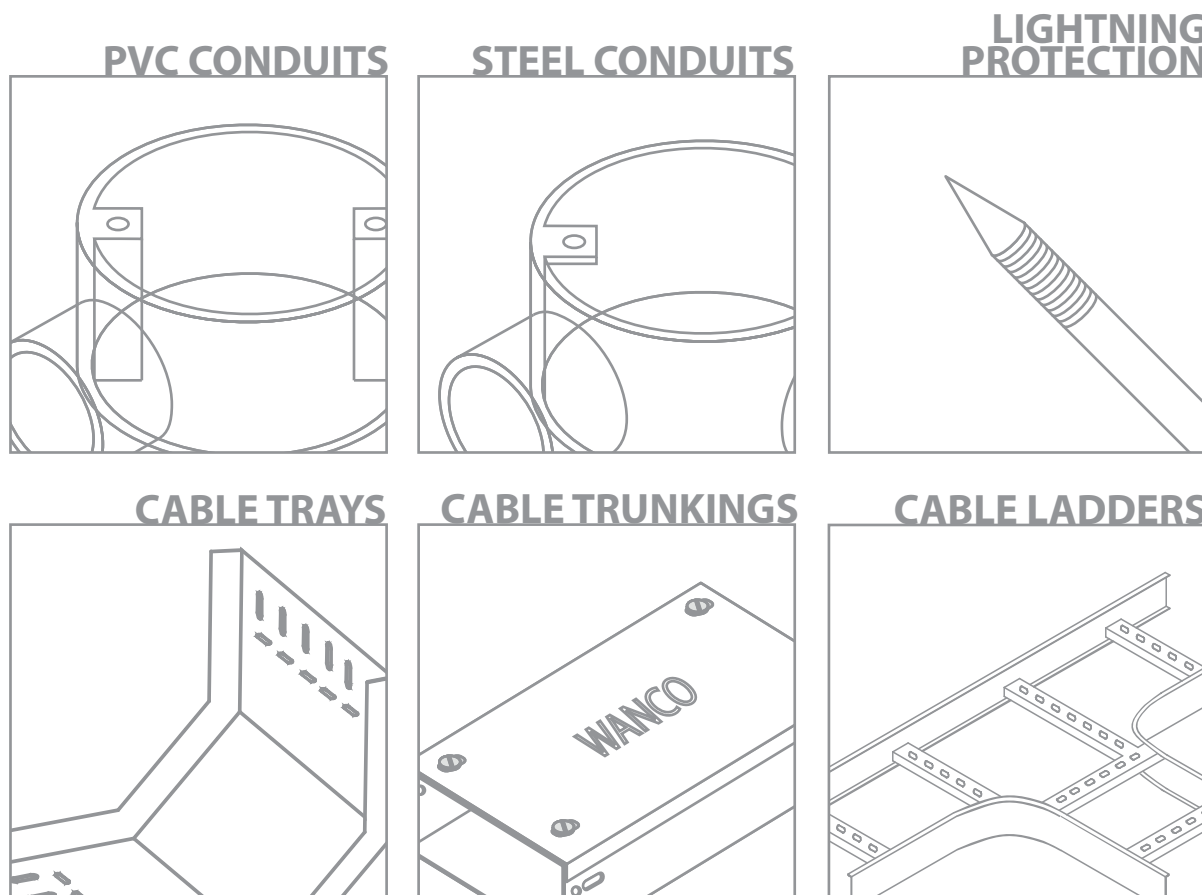
About Wanco

Wanco Electric and Machinery Pte Ltd is the leader in electrical construction materials. Through continued support of our customers, we have come to be known in the market as the supplier that delivers quality products, competitive pricing and excellent customer service, demanded by today's consultants and contractors.

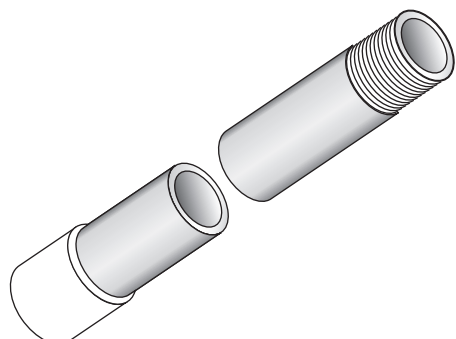
We supply a wide range of electrical construction materials that conform to local and international specifications. Our comprehensive suite of products ranges from PVC Conduits and Boxes, Galvanised Steel Conduits and Boxes, Cable Management Systems and Lightning Protection Systems. These products are tested and approved by all the relevant authorities.

Our business is built on the sound foundations of serving the needs of our customers. We will always be ready to answer your questions and provide you with the materials you need for all your electrical construction needs.

For more information, contact us at sales@wancoelectric.com.sg.



Wanco Conduits



Wanco Conduits are manufactured using the highest grade of steel to ensure solid mechanical strength. They are continuously welded to ensure smooth internal surfaces which is highly essential for wire pulling. Hot Dipped Galvanised after fabrication and threading in compliance to the BS specifications.

Wanco Conduits are manufactured in accordance to the following British Standards listed below.

Conduits with either Epoxy Powder coating or enamel painted coating are available upon request.

Special Features of Wanco Conduits

- Highest grade of steel for best mechanical strength
- Threading in compliance to BS Specifications
- Supplied with one socket end and plastic capping on other end
- Smooth internal beads for easy wire pulling and resistance to snagging

Available Options

- Self colour finish
- Non-standard lengths
- Unscrewed
- Screwed without sockets
- Medium Gauge
- Packing for Export

Wanco Rigid Steel conduit - BS 4568 : Part1 : 1970 (Class 4); IEC 60614-1-2

Hot Dipped Galvanised Inside and Outside

- Heavy Gauge metric sizes
- Heavy protection both inside and outside
- Threaded both ends, with one end fitted with coupling and other with plastic cap
- Standard Length: 3.75 metres

Diameter (mm)		Wall Thickness (mm)	Weight (Kg)	Pitch (mm)	Length of Threads (mm)	
Inside	Outside				Minimum	Maximum
19.7	20	1.6 ± 0.15	2.90	1.5	15	13
24.6	25	1.6 ± 0.15	3.80	1.5	18	16
31.6	32	1.6 ± 0.15	5.50	1.5	20	18

Wanco Rigid Steel conduit - BS 4568 : Part1 : 1970 (Class 3)

- Heavy Gauge metric sizes
- Heavy protection both inside and outside
- Threaded both ends, with one end fitted with coupling and other with plastic cap
- Standard Length: 3.75 metres

Diameter (mm)		Wall Thickness (mm)	Weight (Kg)	Pitch (mm)	Length of Threads (mm)	
Inside	Outside				Minimum	Maximum
19.7	20	1.6 ± 0.15	2.90	1.5	15	13
24.6	25	1.6 ± 0.15	3.80	1.5	18	16
31.6	32	1.6 ± 0.15	5.50	1.5	20	18

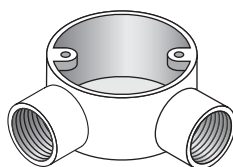
Wanco Rigid Steel conduit - BS 31 : 1940 (Class 3)

- Heavy Gauge imperial sizes
- Heavy protection outside and medium protection inside
- Threaded both ends with one coupler

Diameter (mm)		Wall Thickness (mm)	Weight (Kg)	Pitch (mm)	Length of Threads (mm)	
Inside	Outside				Minimum	Maximum
18.8	19.1	1.6 ± 0.15	2.90	1.5	15	13
25.1	25.4	1.6 ± 0.15	3.80	1.5	18	16
31.5	31.8	1.6 ± 0.15	5.50	1.5	20	18

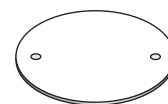
Circular Junction Boxes

2-Way Angle Box



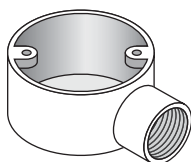
Sizes: 20mm, 25mm, 32mm
 $\frac{3}{4}$ ", 1", 1 $\frac{1}{4}$ "

Box Lid



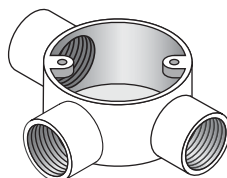
Sizes: 65mm, 86mm

1-Way Terminal Box



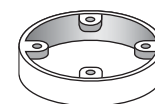
Sizes: 20mm, 25mm, 32mm
 $\frac{3}{4}$ ", 1", 1 $\frac{1}{4}$ "

3-Way Tee Box



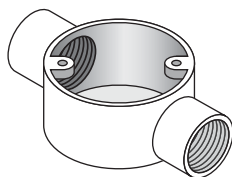
Sizes: 20mm, 25mm, 32mm
 $\frac{3}{4}$ ", 1", 1 $\frac{1}{4}$ "

Extension Ring



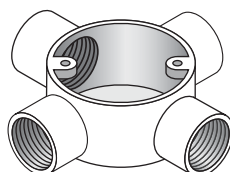
Sizes: 20mm, 25mm, 32mm
 $\frac{3}{4}$ ", 1", 1 $\frac{1}{4}$ "

2-Way Terminal Box



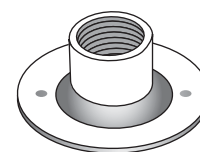
Sizes: 20mm, 25mm, 32mm
 $\frac{3}{4}$ ", 1", 1 $\frac{1}{4}$ "

4-Way Intersection Box



Sizes: 20mm, 25mm, 32mm
 $\frac{3}{4}$ ", 1", 1 $\frac{1}{4}$ "

Dome Cover



Sizes: 20mm, 25mm, 32mm
 $\frac{3}{4}$ ", 1", 1 $\frac{1}{4}$ "

Conduit Accessories

Inspection Elbow

Sizes: 20mm, 25mm, 32mm
3/4", 1", 1 1/4"

Socket Coupling

Sizes: 20mm, 25mm, 32mm
3/4", 1", 1 1/4"

Long Bend (Solid)

Sizes: 20mm, 25mm, 32mm
3/4", 1", 1 1/4"

Inspection Bend

Sizes: 20mm, 25mm, 32mm
3/4", 1", 1 1/4"

Spacer Bar Saddle

Sizes: 20mm, 25mm, 32mm
3/4", 1", 1 1/4"

Reducer

Sizes: 25mm x 20mm
32mm x 25mm

Inspection Tee

Sizes: 20mm, 25mm, 32mm
3/4", 1", 1 1/4"

Half Saddle


Sizes: 20mm, 25mm, 32mm
3/4", 1", 1 1/4"

Brass Male Bush

Sizes: 20mm, 25mm, 32mm
3/4", 1", 1 1/4"

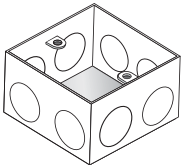
Conduit Accessories

Stop Plug (Hex.)



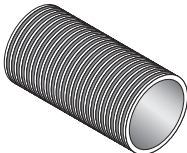
Sizes: 20mm, 25mm, 32mm
3/4", 1", 1 1/4"

1 Gang K.O. Box



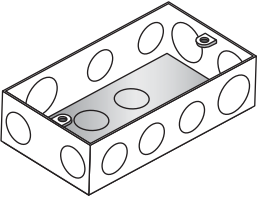
Sizes: 75 x 75 x 35mm

Nipples




Sizes: 25mm x 20mm
32mm x 25mm

2 Gang K.O. Box



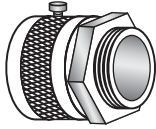
Sizes: 135 x 75 x 35mm

Brass Adaptor c/w Locknut



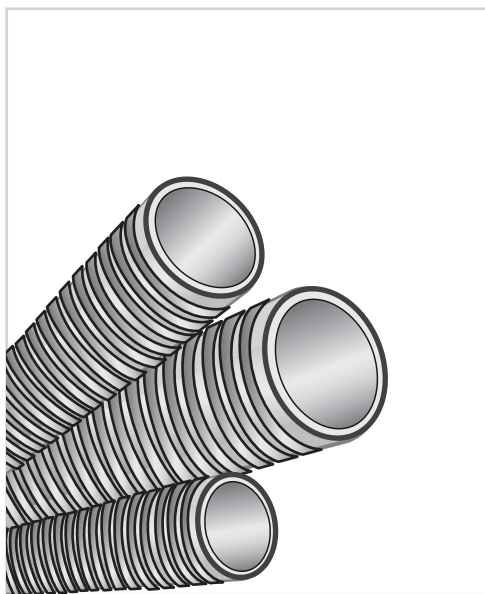
Sizes: 12mm x 20mm
16mm x 20mm
20mm x 25mm
20mm x 20mm
25mm x 25mm
32mm x 32mm
38mm x 38mm
50mm x 50mm

Adaptor c/w Locknut



Sizes: 12mm x 20mm
16mm x 20mm
20mm x 25mm
20mm x 20mm
25mm x 25mm
32mm x 32mm
38mm x 38mm
50mm x 50mm

Conduit Accessories

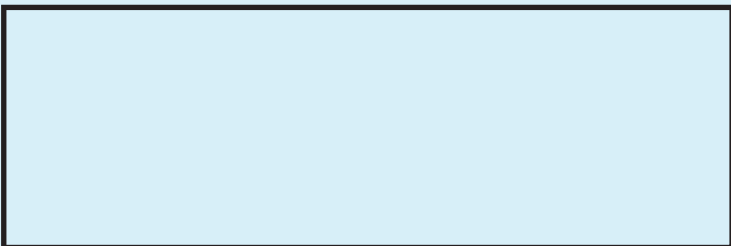


GI Flexible Conduit	
Sizes:	1/2", 5/8", 3/4", 1", 1 1/4", 1 1/2", 2"

"C" Bracket	
Sizes:	3" x 5" x 4" 4" x 6" x 4"



PVC Coated Flexible Conduit	
Sizes:	12mm, 16mm, 20mm, 25mm, 32mm, 38mm, 50mm



Copyright © 2010 Wanco Electric and Machinery Pte Ltd.
All rights reserved.

All product dimensions and material specifications are accurate at time of print. Wanco Electric and Machinery Pte Ltd reserves the right to make specification changes without prior notice.